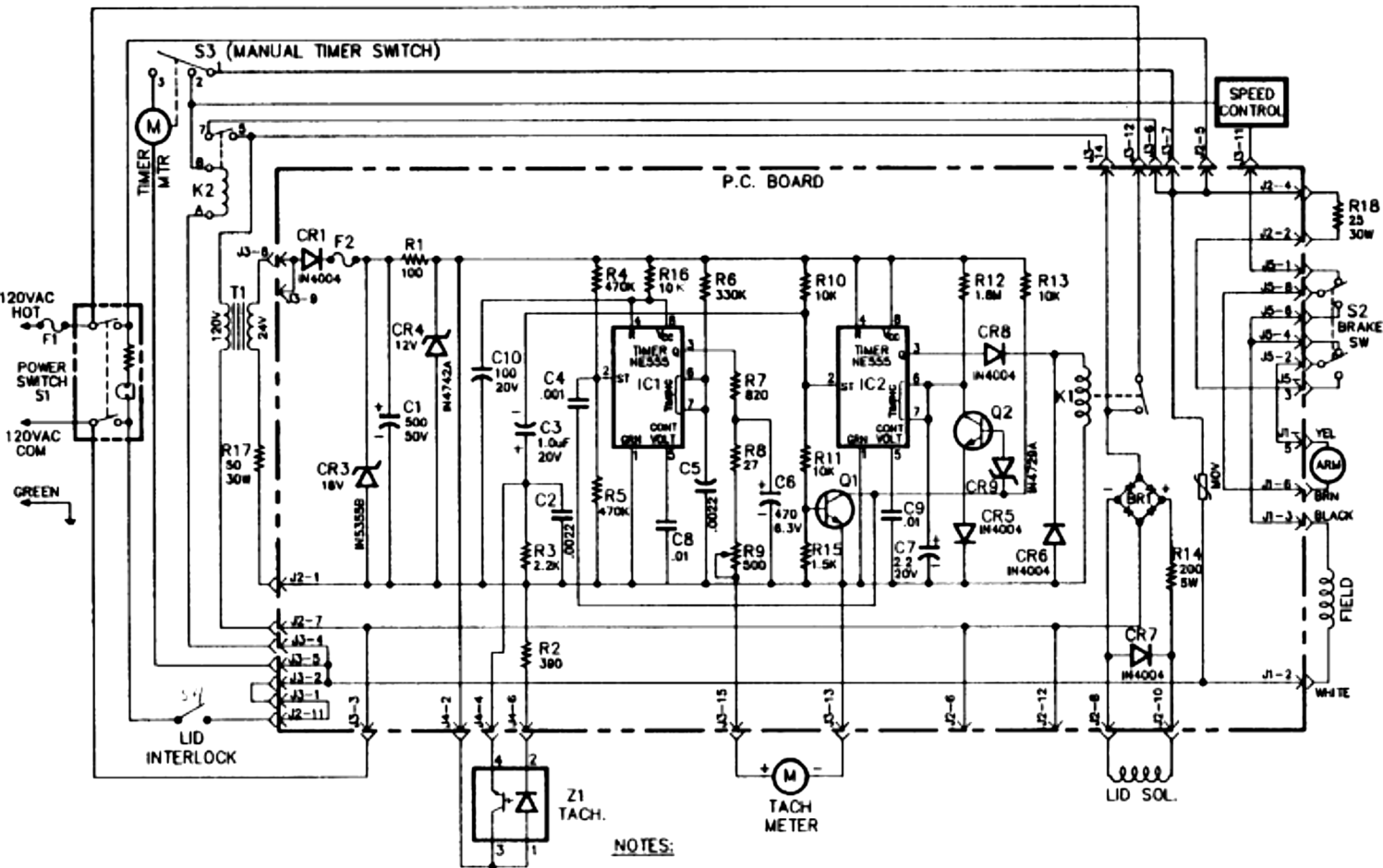


# DYNAC II SCHEMATIC - 120 VOLTS



## NOTES:

- S3 OPERATES AS FOLLOWS:  
 (A) CONTACTS 1 AND 2 ARE MADE DURING RUN AND HOLD  
 (B) CONTACTS 1,2 AND 3 ARE MADE DURING RUN AND (NOT HOLD)
- UNLESS OTHERWISE SPECIFIED: RESISTORS VALUES ARE IN OHMS, CAPACITORS VALUES ARE IN MICROFARADS

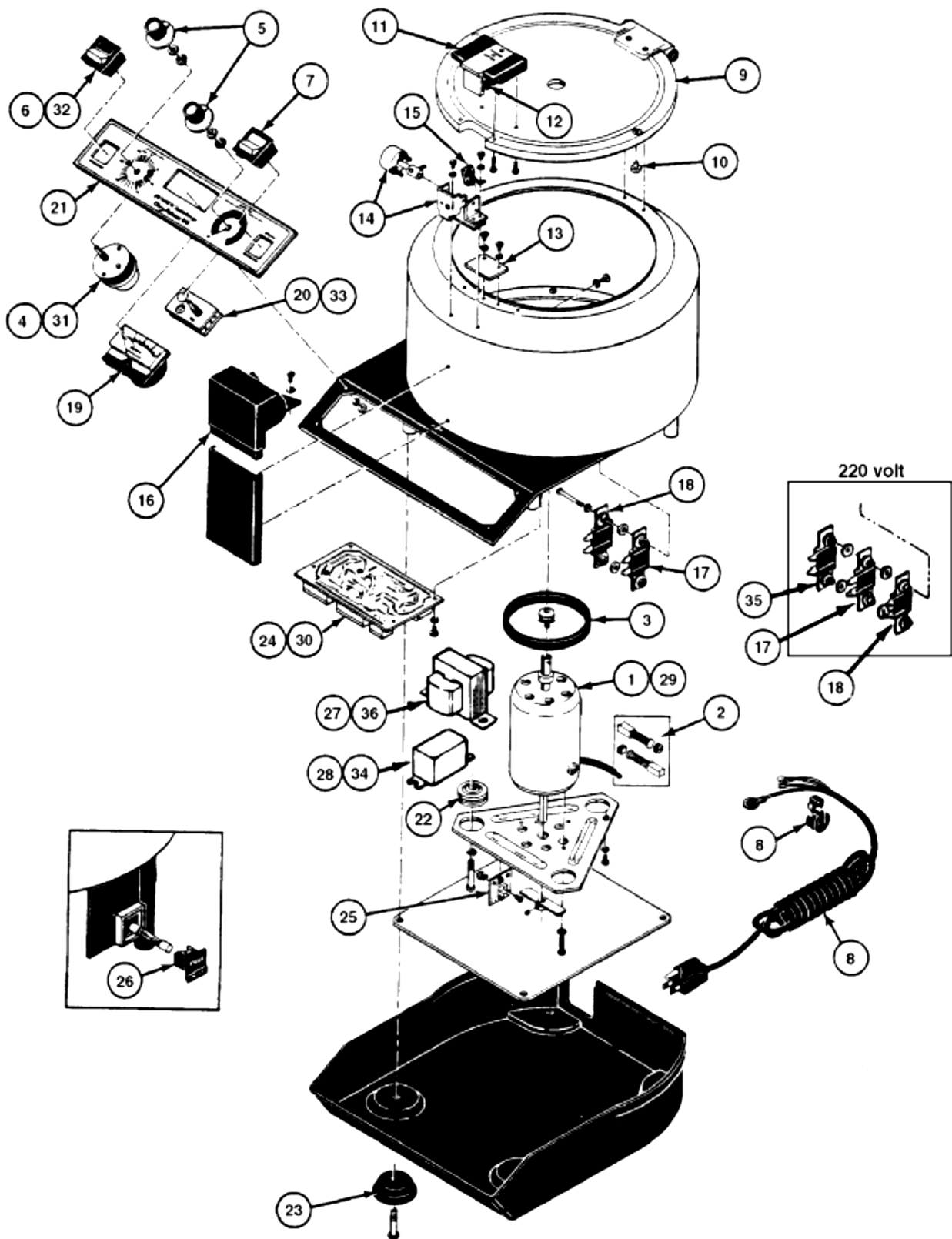


Figure 2-3. Exploded view of Dynac II centrifuge (continued).